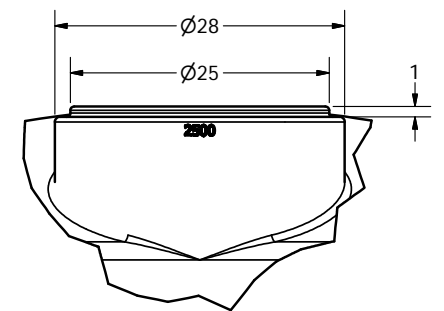



REVISION HISTORY			
REV	DESCRIPTION	DATE	AUTHOR
A	REVISED MANWAY FOR 22 LID	8/10/2009	Jerry Paulson



DETAIL A
SCALE 1 / 12

DRAWN Jerry Paulson	8/10/2009		
CHECKED		NORWESCO, INC., ST. BONIFACIUS, MN	
QA		TITLE	
MFG		2500 GALLON VERTICAL WATER TANK X 102 DIAMETER	
APPROVED		SIZE B	REV A
		SCALE: 1/24	DWG NO
			SHEET 1 OF 1