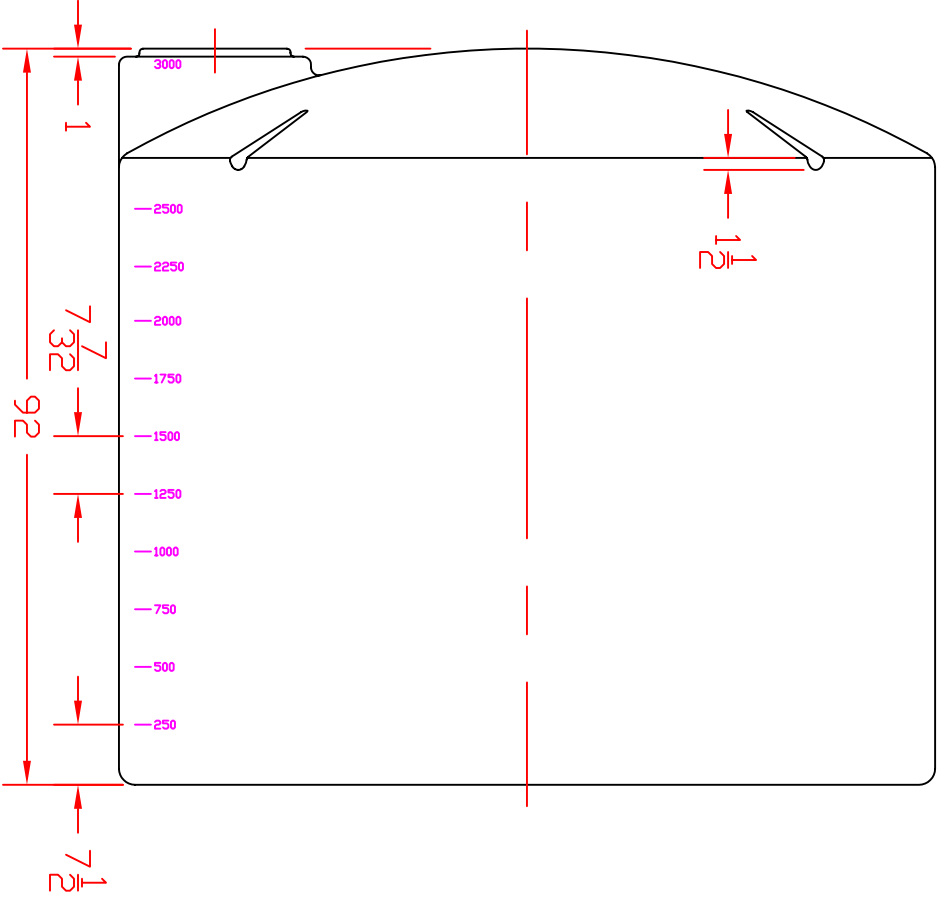
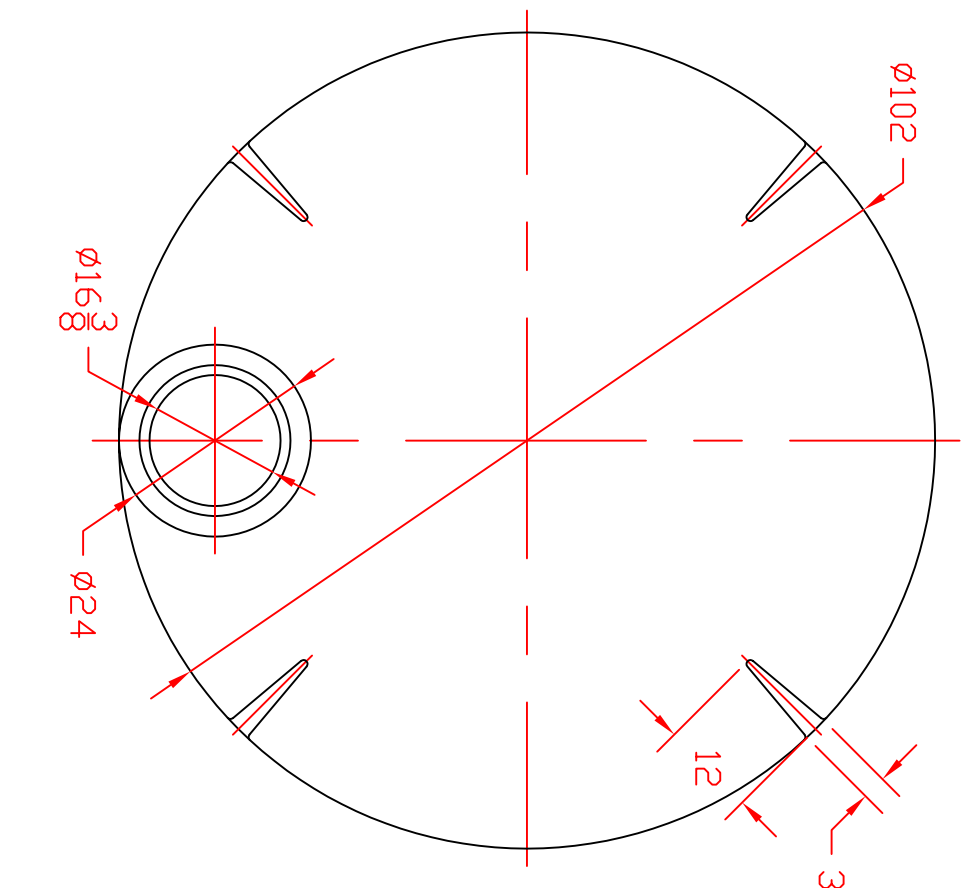


REVISIONS				
ZONE	REV	DESCRIPTION	DATE	APPROVED



FOB FAIRFIELD, TX

	
ST. BONIFACIUS, MN	
3000 GALLON (X 102 DIA) VERTICAL STORAGE TANK	
JTP	26FEB03
SIZE	FSCM NO.
A	DWG NO.
SCALE 1/24	SHEET
REV	